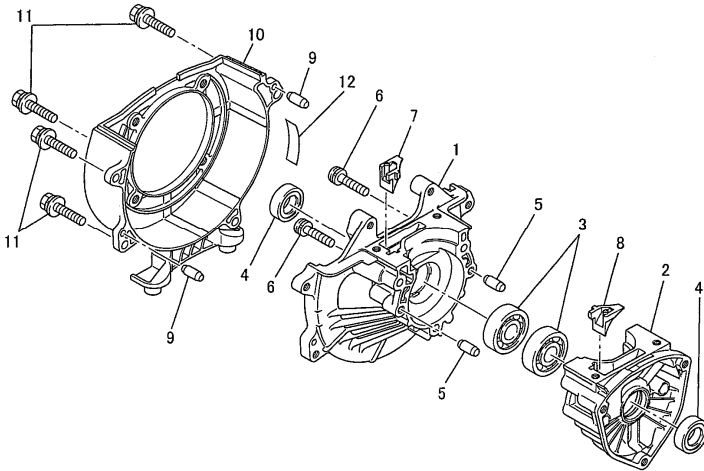


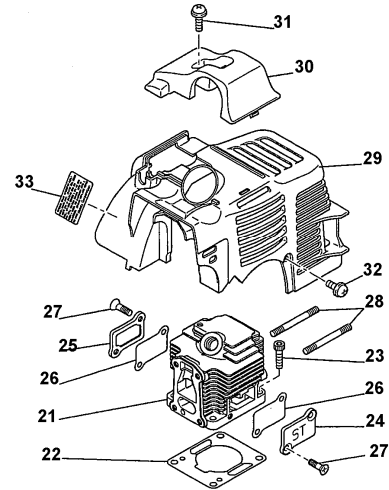


10 - 2010
 BCM2610
 25.6CC LINE TRIMMER, LOOP HANDLE

CRANKCASE

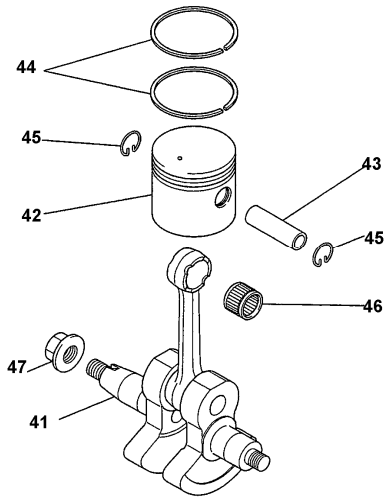


CYLINDER, TOP COVER SYSTEM

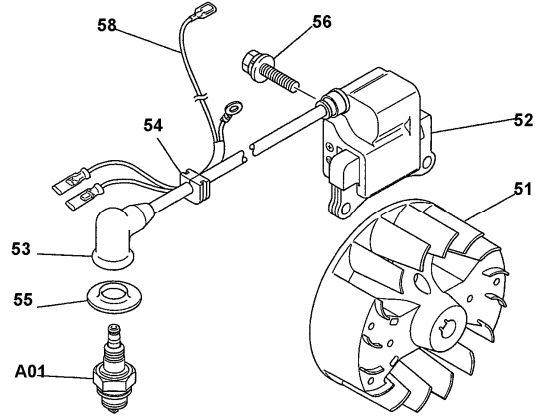


Item No.	Type	Sub	Part No.	Description	Qty	Unit
1			KB13004AA	CASE, DRIVE	1	PC.
2			KB13005AA	CASE, STARTER	1	PC.
3			S110X60X010	BEARING, BALL	2	PC.
4			KW21005AA	OIL SEAL	2	PC.
5			KU40003AA	PIN, DOWEL	2	PC.
6			KU12028AA	SCREW & WASHER	3	PC.
7			KB90005AA	GUIDE	1	PC.
8			KB90006AA	GUIDE	1	PC.
9			KU40004AA	PIN, DOWEL	2	PC.
10			KH30024DA	CASE, FAN	1	PC.
11			FR64569E	BOLT & WASHER	4	PC.
12			KW56056AA	LABEL	1	PC.
21			KC13020AA	CYLINDER	1	PC.
22			KW32014AA	GASKET, CYLINDER	1	PC.
23			B121C05X020	BOLT, SCH	4	PC.
24			KC90016AA	COVER	1	PC.
25			KC90017AA	COVER	1	PC.
26			KW39079AA	GASKET	2	PC.
27			KU12031AA	SCREW, CTSK-CRS	4	PC.
28			B151B05X050	BOLT, STUD	2	PC.
29			KH40094DA	COVER, TOP	1	PC.
30			KH70020AA	GUARD, PLUG	1	PC.
31			H071D05X020K	SCREW & WASHER	1	PC.
32			KU12043AA	SCREW & WASHER	1	PC.
33			KW56248BA	LABEL, EMISSION	1	PC.

CRANKSHAFT & PISTON

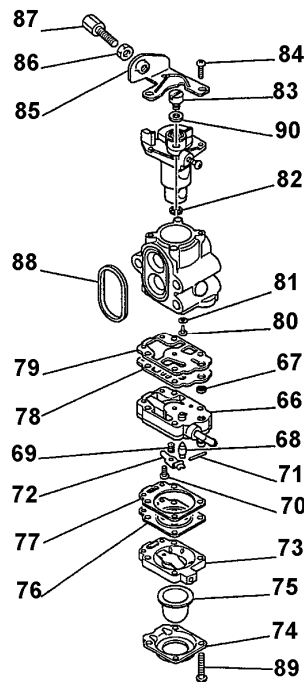
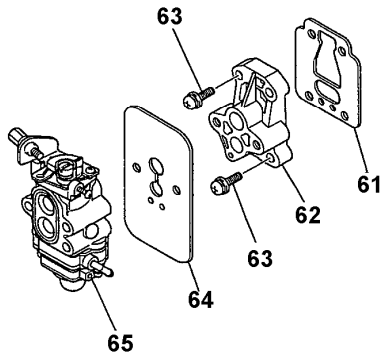


FLYWHEEL MAGNETO

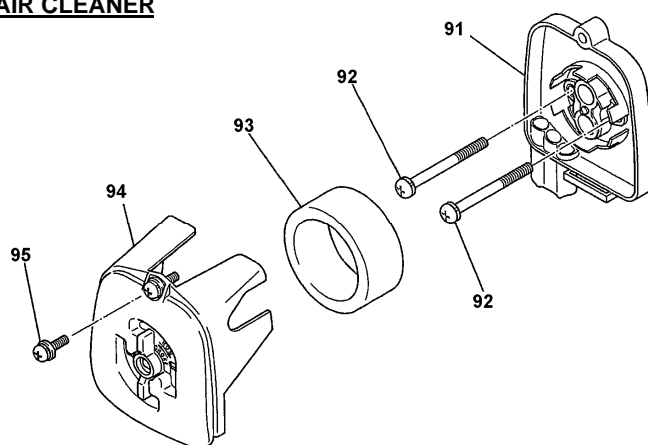


Item No.	Type	Sub Part No.	Description	Qty	Unit
41		KD01033AA	CRANKSHAFT ASSY	1	PC.
42		KP13014AA	PISTON	1	PC.
43		KP51008AA	PIN, PISTON	1	PC.
44		KP23002AA	RING, TOP	2	PC.
45		FR64817	CLIP, PISTON PIN	2	PC.
46		FR64857	BEARING, NEEDLE	1	PC.
47		ZZ70028C	NUT, CONICAL SPG	1	PC.
51		KE11026AA	ROTOR	1	PC.
52		KE04032AB	COIL, IGNITION	1	PC.
53		FR64961	CAP, PLUG	1	PC.
54		KE90001BA	GROMMET	1	PC.
55		FR66751	CAP, PLUG	1	PC.
56		FR64569A	BOLT & WASHER	2	PC.
58		KE90239AA	WIRE, LEAD	1	PC.
A01		KE41011AA	PLUG, SPARK	1	PC.

CARBURETOR

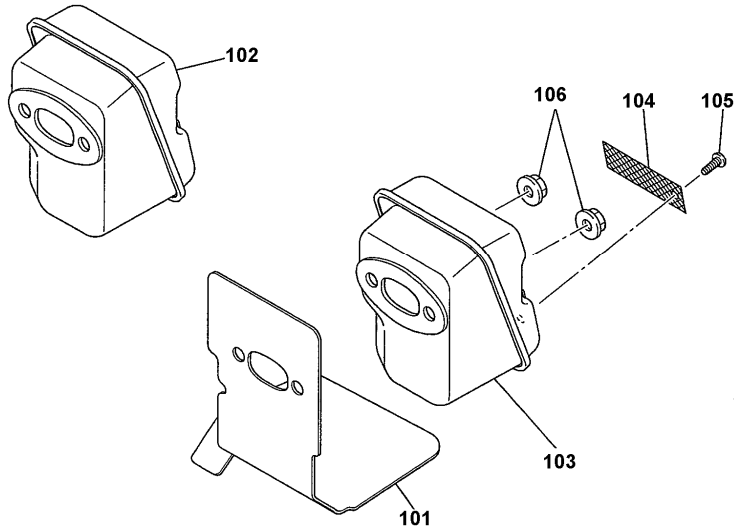


AIR CLEANER

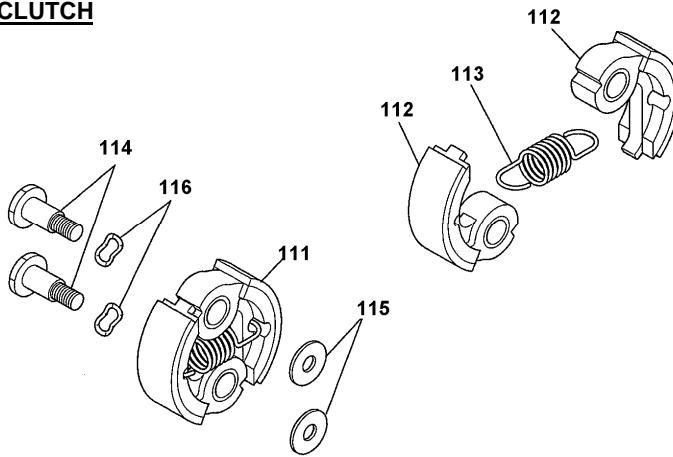


Item No.	Type	Sub	Part No.	Description	Qty	Unit
61			KW34066AA	GASKET, INSULATOR	1	PC.
62			KK31031AA	INSULATOR	1	PC.
63			FR64960E	SCREW & WASHER	4	PC.
64			KW39091AA	GASKET, CARBURETOR	1	PC.
65			KK21045AA	CARBURETOR(D)	1	PC.
		INC.		Item No. 66-90		
66			KK22016AA002	BODY, PUMP	1	PC.
		INC.		Item No, 67 -72		
67			KK21009AA002	SCREEN	1	PC.
68			KK22007AA003	VALVE, NEEDLE	1	PC.
69			KK23002AA005	SPRING	1	PC.
70			KK22007AA005	SCREW	1	PC.
71			FR66652XX027	PIN	1	PC.
72			FR66652XX029	LEVER	1	PC.
73			KK22007AA006	BODY	1	PC.
74			KK22007AA007	COVER	1	PC.
75			KK21017AA013	PRIMER PUMP ASSY	1	PC.
76			KK21028AA006	DIAPHRAGM	1	PC.
77			KK22007AA012	GASKET	1	PC.
78			KK21017AA005	DIAPHRAGM	1	PC.
79			KK21028AA009	GASKET	1	PC.
80			KK21030AA010	JET	1	PC.
81			KK21017AA002	O-RING	1	PC.
82			FR66652XX032	CLIP	1	PC.
83			KK21024AA022	HOLDER, WIRE	1	PC.
84			KK21017AA021	SCREW	2	PC.
85			KK22023AA014	BRACKET	1	PC.
86			KK21017AA027	NUT	1	PC.
87			KK22008AA016	SCREW, ADJUST	1	PC.
88			KK21028AA019	PACKING	1	PC.
89			KK22007AA019	SCREW	4	PC.
90			KK22004EA024	WASHER	1	PC.
91			KA11025AA	CASE, CLEANER	1	PC.
92			H071D05X050	SCREW & WASHER	2	PC.
93			KA40080AA	ELEMENT, CLEANER	1	PC.
94			KA02032AA	COVER, CLEANER	1	PC.
		INC.		Item No. 95		
95			FR64960D	SCREW & WASHER	1	PC.

MUFFLER

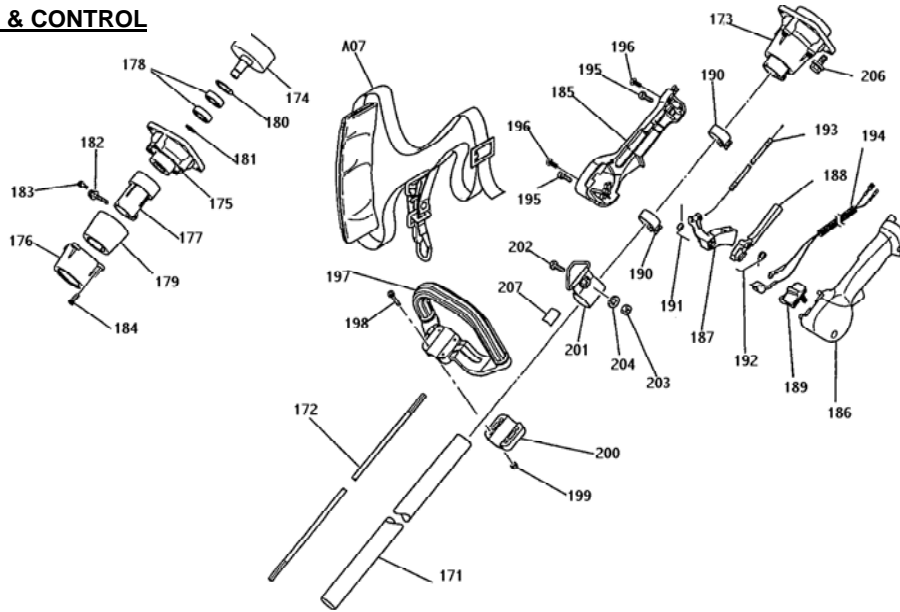


CLUTCH



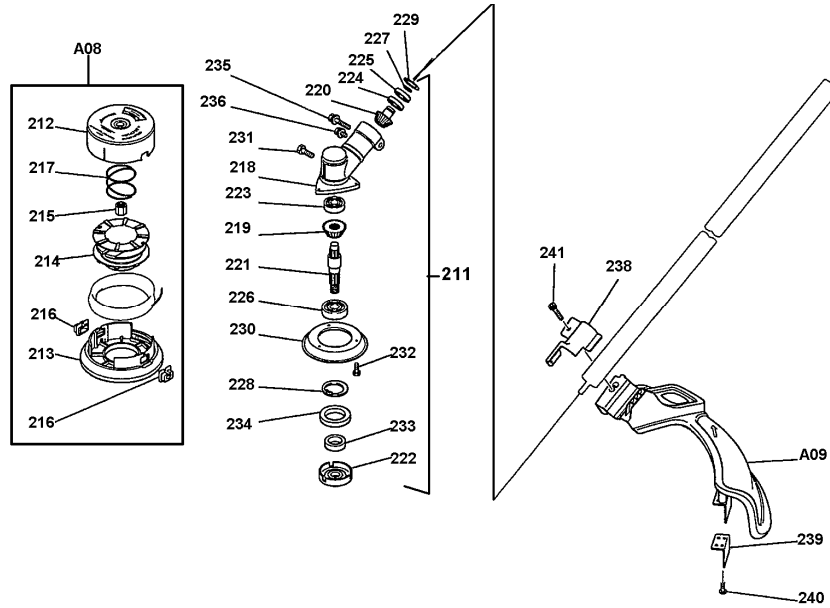
Item No.	Type	Sub	Part No.	Description	Qty	Unit
101			KM70061AA	GASKET, MUFFLER	1	PC.
102			KM01080AA	MUFFLER ASSY	1	PC.
		INC.		Item No. 103-105		
103			KM01078AA	MUFFLER	1	PC.
104			KM90179AA	SPARK ARRESTER	1	PC.
105			W006D03X006	SCREW	1	PC.
106			FR67566	NUT, FLANGE	2	PC.
111			KT01002BA	CLUTCH	1	PC.
		INC.		Item No. 112-113		
112			KT12004BA	SHOE, CLUTCH	2	PC.
113			FR64233A	SPRING	1	PC.
114			KT14003AA	BOLT, CLUTCH	2	PC.
115			FR67347A	WASHER	2	PC.
116			KU36001DA	WASHER	2	PC.

HANDLE & CONTROL



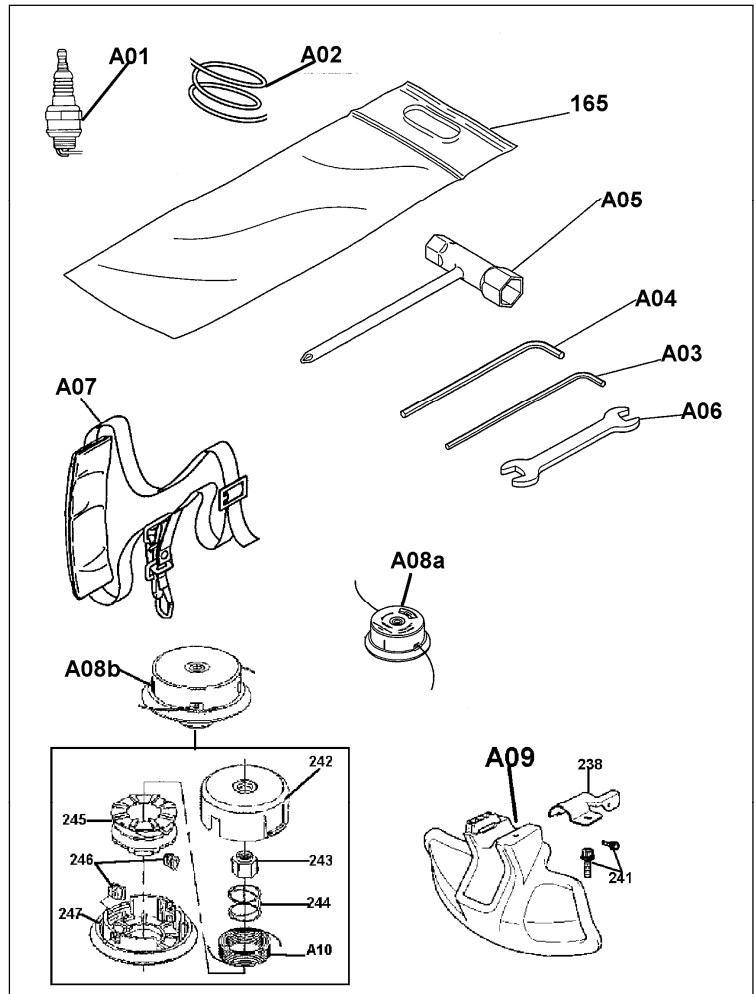
Item No.	Type	Sub	Part No.	Description	Qty	Unit
171			KQ50109AA001	PIPE	1	PC.
172			KQ50104AA002	SHAFT	1	PC.
173			KQ50508AA	CLUTCH CASE ASSY	1	PC.
		INC.		Item No. 174-184		
174			KQ50504AA001	CLUTCH DRUM	1	PC.
175			KQ50508AA002	CASE, CLUTCH	1	PC.
176			KQ50508AA003	CASE, CLUTCH	1	PC.
177			KQ50504AA004	CASE, CLUTCH	1	PC.
178			KQ50501AA003	BEARING, BALL	2	PC.
179			KQ50504AA006	RUBBER CUSHION	1	PC.
180			KQ50501AA005	SNAP RING	1	PC.
181			KQ50501AA006	SNAP RING	1	PC.
182			KQ50501AA007	BOLT	1	PC.
183			KQ50501AA008	BOLT	1	PC.
184			KQ50504AA007	BOLT	4	PC.
185			KQ50602AA001	CASE	1	PC.
186			KQ50602AA003	CASE	1	PC.
187			KQ50602AA005	LEVER, THROTTLE	1	PC.
188			KQ50602AA006	LEVER	1	PC.
189			KQ50602AA007	SWITCH	1	PC.
190			KQ50602AA008	CLAMP	2	PC.
191			KQ50601AA009	SPRING	1	PC.
192			KQ50601AA010	SPRING	1	PC.
193			KQ50601AA011	WIRE, THROTTLE	1	PC.
194			KQ50601AA013	WIRE, LEAD	1	PC.
195			KQ50501AA008	BOLT	2	PC.
196			KQ50601AA015	TAP-SCREW	4	PC.
197			KQ50702AA001	HANDLE	1	PC.
198			KQ50701AA004	BOLT	4	PC.
199			KQ50401AA006	NUT	4	PC.
200			KQ50703AA006	CAP	1	PC.
201			KQ50803AA	HOLDER	1	PC.
		INC.		Item No. 202-204		
202			KQ50801AA002	BOLT	1	PC.
203			KQ50801AA003	NUT	1	PC.
204			KQ50801AA004	WASHER, SPG	1	PC.
206			KQ50402AA005	BOLT	4	PC.
207			KQ50101AA004	LABEL	1	PC.
A07			KQ50901AA	BAND, SHOULDER	1	PC.

GEAR CASE



Item No.	Type	Sub Part No.	Description	Qty	Unit
211		KQ50304AA	GEAR CASE	1	PC.
	INC.		Item No. 218-236		
212		KQ50203AA001	CASE	1	PC.
213		KQ50203AA002	COVER	1	PC.
214		KQ50203AA003	HOLDER	1	PC.
215		KQ50203AA004	NUT	1	PC.
216		KQ50201AA005	GUIDE	2	PC.
217		KQ50203AA007	SPRING	1	PC.
218		KQ50304AA001	CASE	1	PC.
219		KQ50304AA002	GEAR	1	PC.
220		KQ50304AA003	GEAR	1	PC.
221		KQ50304AA004	SHAFT	1	PC.
222		KQ50304AA005	HOLDER	1	PC.
223		KQ50304AA006	BEARING, BALL	1	PC.
224		KQ50304AA007	BEARING, BALL	1	PC.
225		KQ50304AA008	BEARING, BALL	1	PC.
226		KQ50304AA009	BEARING, BALL	1	PC.
227		KQ50302AA010	SNAP RING	1	PC.
228		KQ50302AA011	SNAP RING	1	PC.
229		KQ50304AA010	SNAP RING	1	PC.
230		KQ50304AA013	COVER	1	PC.
231		KQ50302AA012	BOLT	1	PC.
232		KQ50304AA015	BOLT	3	PC.
233		KQ50304AA016	SPACER	1	PC.
234		KQ50304AA017	OIL SEAL	1	PC.
235		KQ50304AA018	BOLT	1	PC.
236		KQ50504AA007	BOLT	1	PC.
238		KQ50403AA002	BRACKET	1	PC.
239		KQ50402AA003	CUTTER	1	PC.
240		KQ50601AA015	TAP-SCREW	3	PC.
241		KQ50402AA005	BOLT	1	PC.
248		KQ50408AA006	NUT (F/GUARD)	1	PC.
A08a		KQ50203AA	BUMP & FEED STRING HEAD	1	PC.
	INC.		Item No. 212-217		
A08b		B-05022	BUMP & FEED NYLON LINE CUTTING HEAD	1	PC.
	INC.		Item No. 242-247, A10		
A09		KQ50408AA001	GUARD	1	PC.
	INC.		Item No. 238-241		

ACCESSORIES



Item No.	Type	Sub	Part No.	Description	Qty	Unit
165			KN01015AA005	BAG, TOOL	1	PC.
242			A-89165	HOUSING	1	PC.
243			A-89171	NUT M8X1.25LH	1	PC.
244			A-89187	SPRING	1	PC.
245			A-89202	SPOOL	1	PC.
246			A-15992	EYELET 2PC/SET	1	SET
247			A-89218	COVER	1	PC.
A01			KE41011AA	PLUG, SPARK	1	PC.
A02			KS20088AB011	ROPE, STARTER	1	PC.
A03			KN01015AA001	WRENCH KEY	1	PC.
A04			KN01015AA002	WRENCH KEY	1	PC.
A05		1	KN01015BA003	SPANNER, BOX	1	PC.
		2	KN01015BA	TOOL SET	1	PC.
		INC.	KN01015BA003	SPANNER, BOX	1	PC.
		INC.	A03, A04, A06			
A06			KN01015AA004	SPANNER	1	PC.
A07			KQ50901AA	BAND, SHOULDER	1	PC.
A08a			KQ50203AA	BUMP & FEED STRING HEAD	1	PC.
		INC.		Item No. 212-217		
A08b			B-05022	BUMP & FEED NYLON LINE CUTTING HEAD	1	PC.
		INC.		Item No. 242-247, A10		
A09			KQ50408AA001	GUARD	1	PC.
A09		INC.		Item No. 238-241		
A10			A-15964	NYLON CORD .095"x9.8' WHITE-GRAY	1	PC.